

CYKLOP®

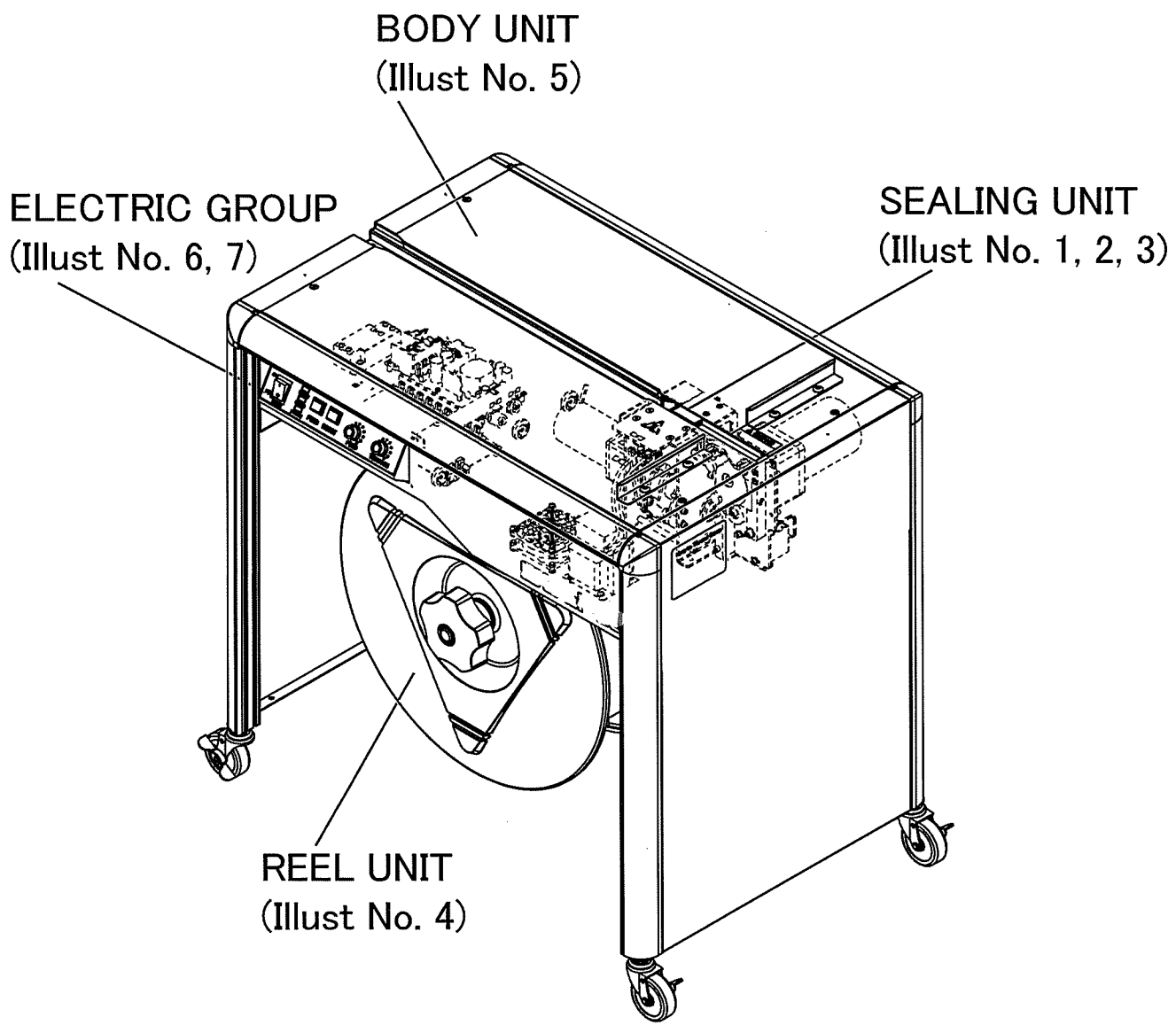
GLOBAL PACKAGING SOLUTIONS

STRAPPING
WRAPPING
CODING
TAPING

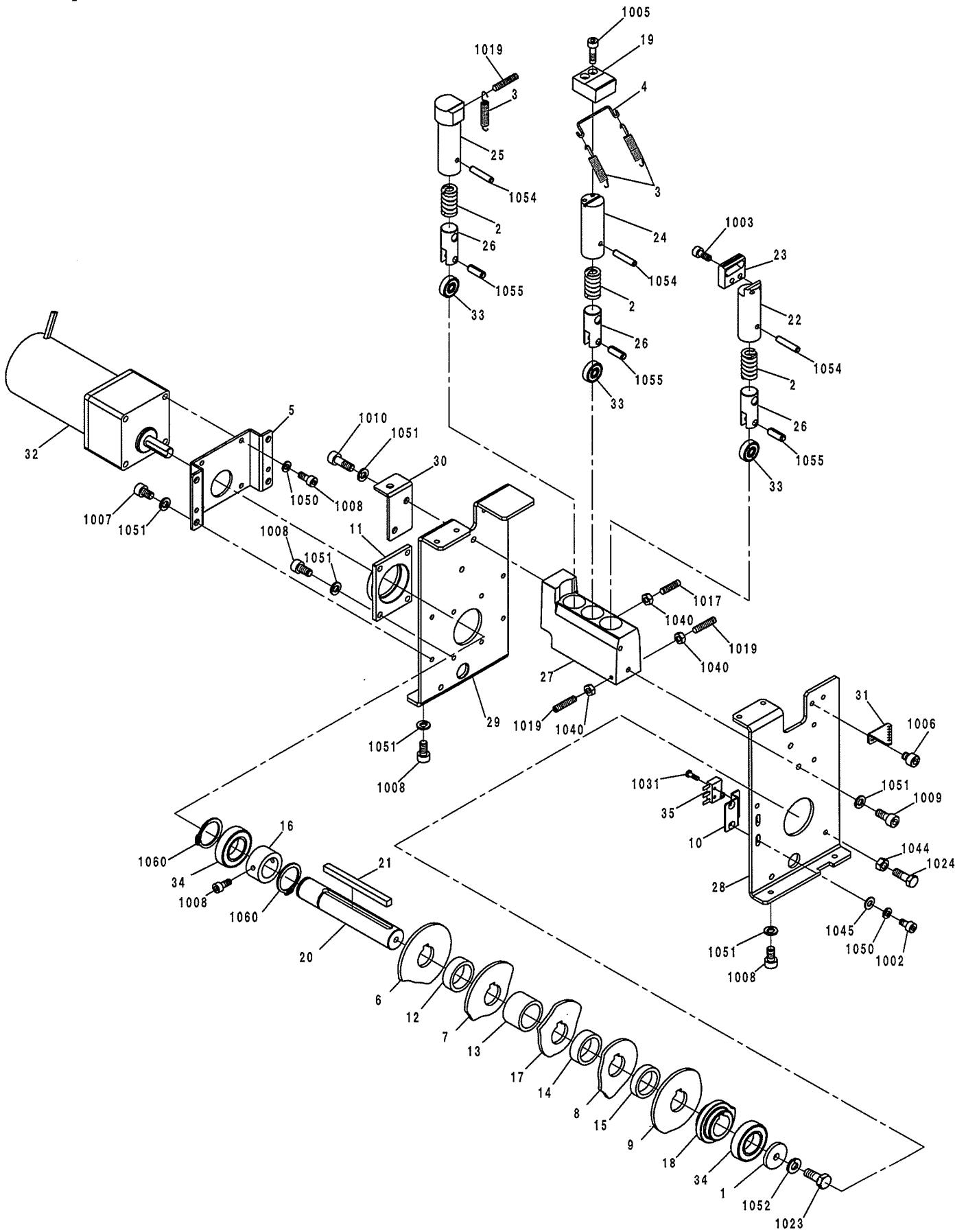
PARTS LIST

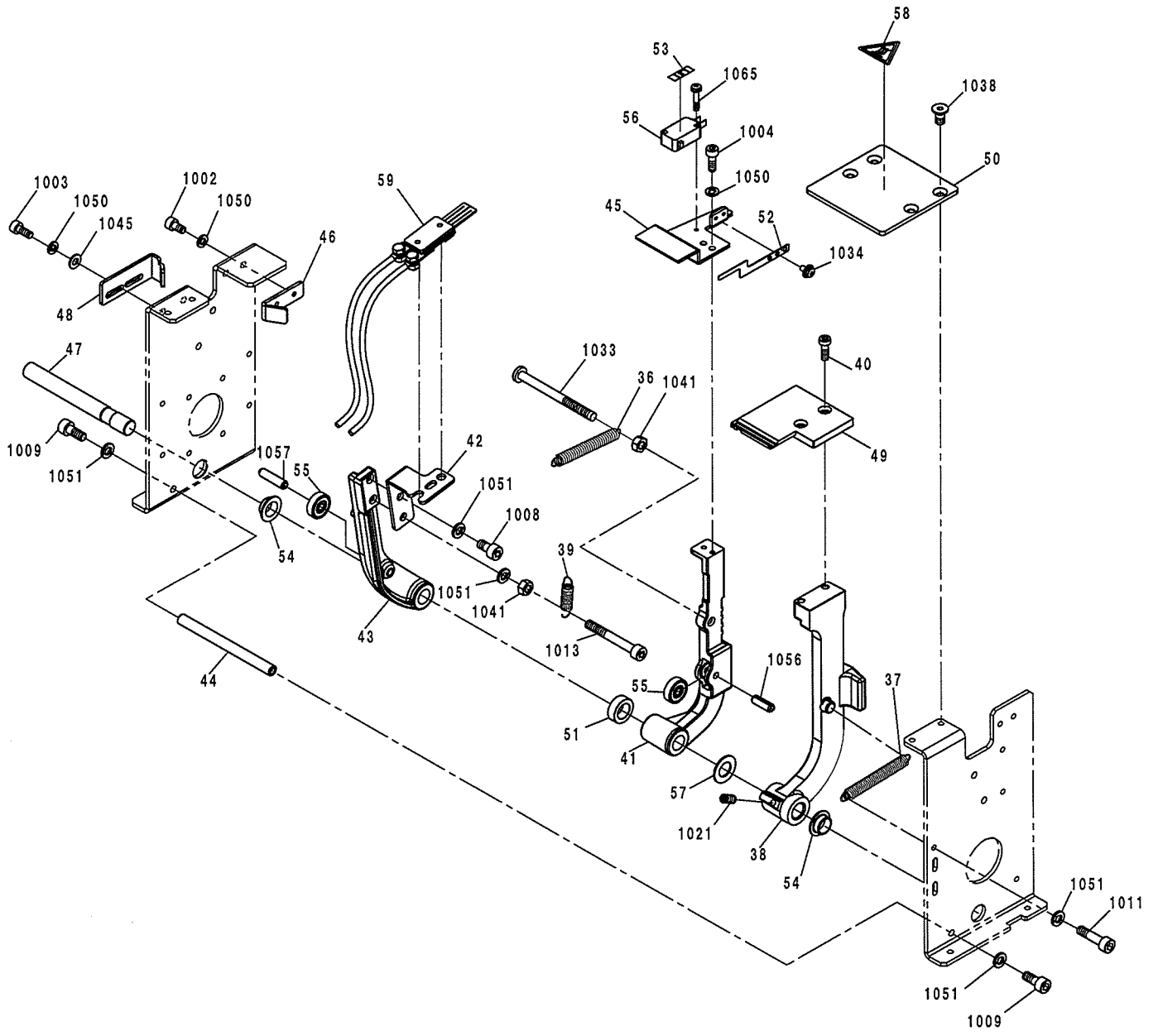


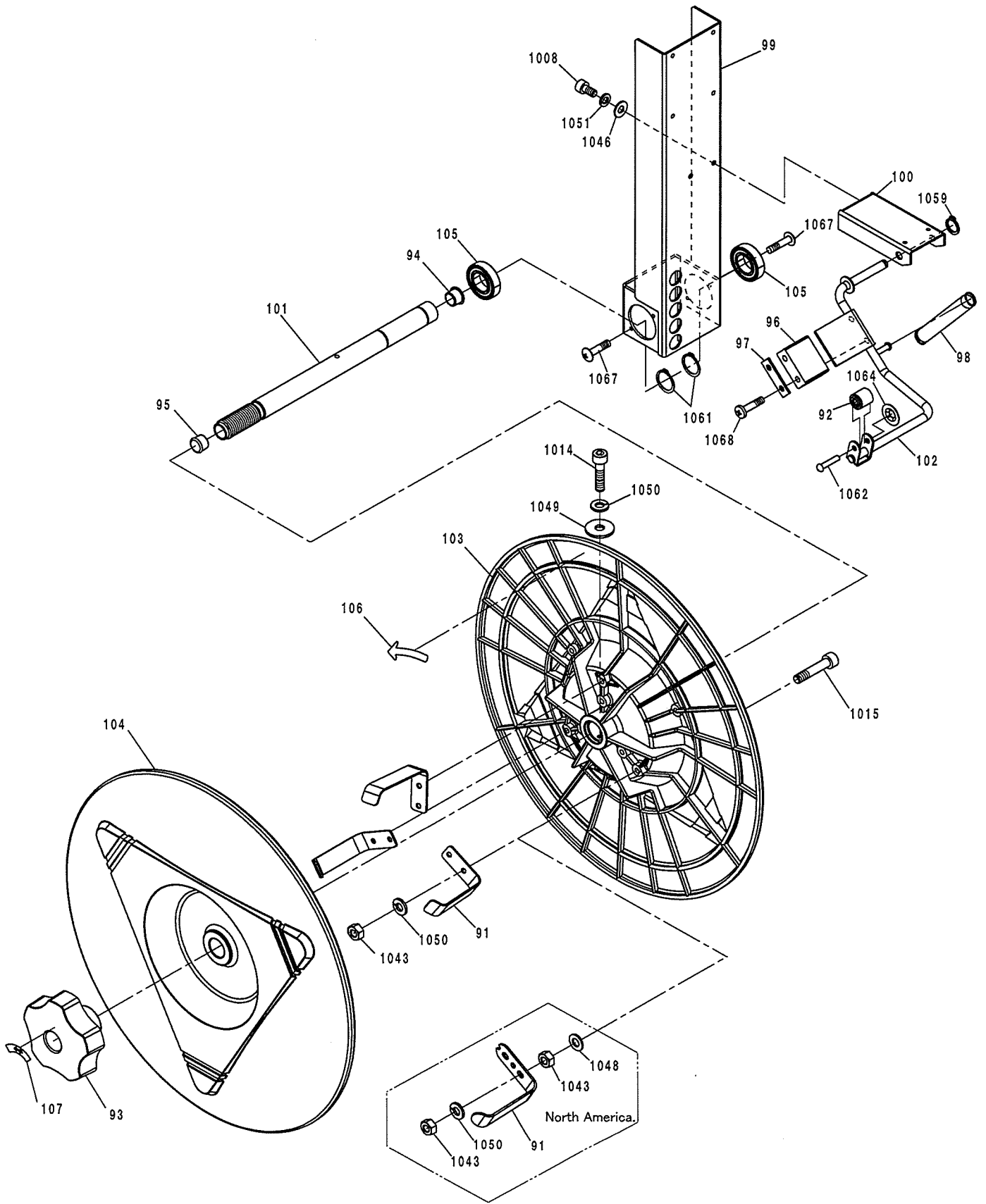
M-Pac V



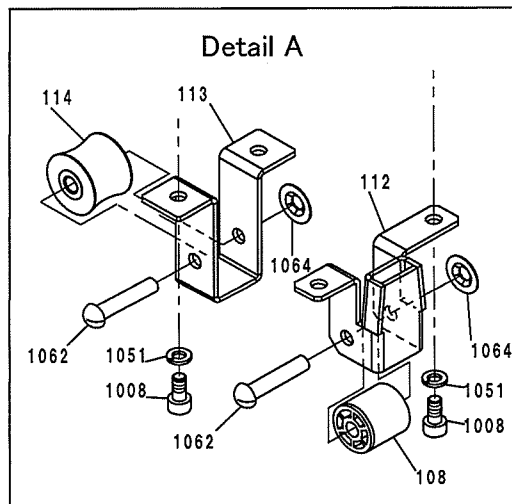
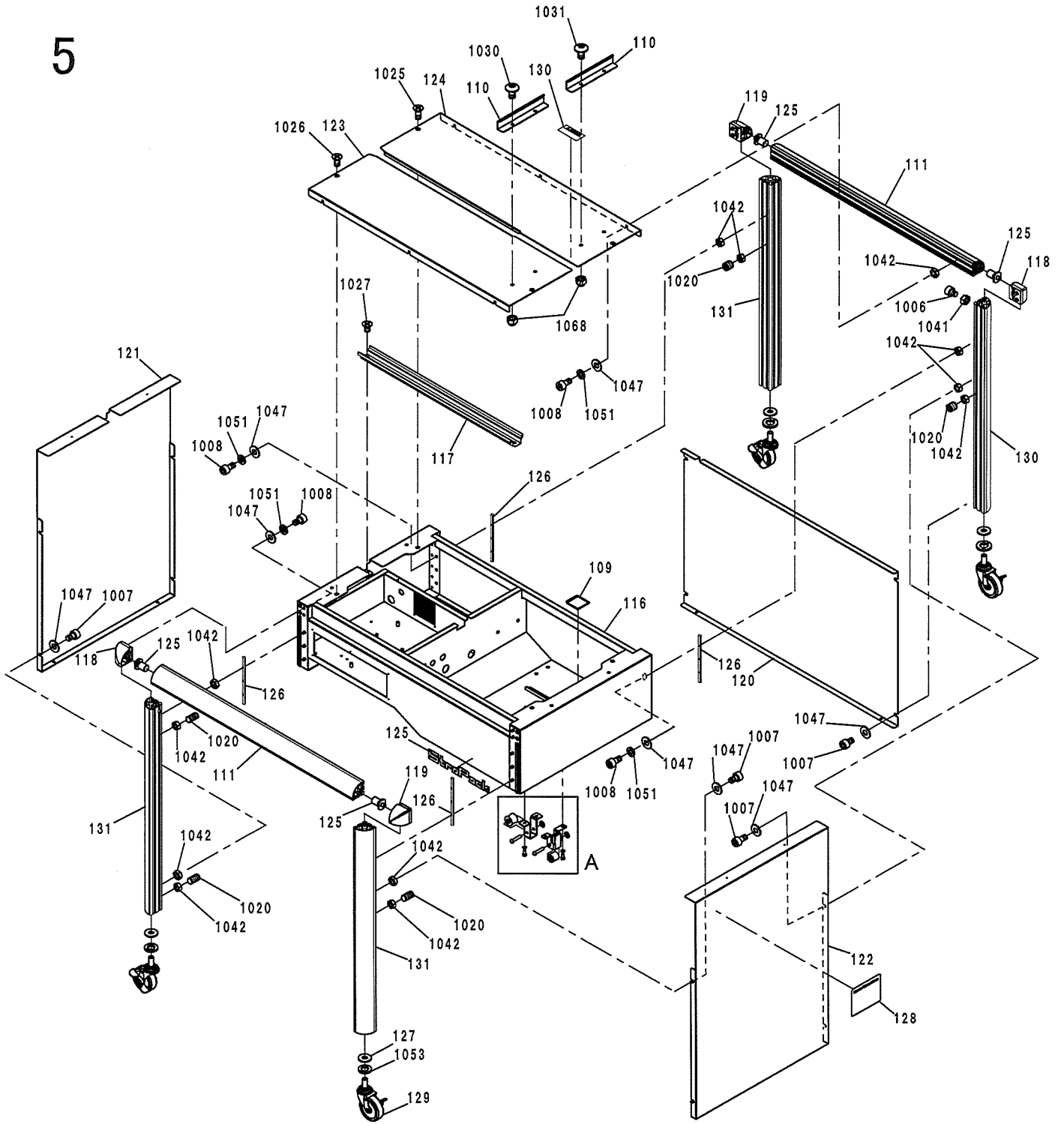
1







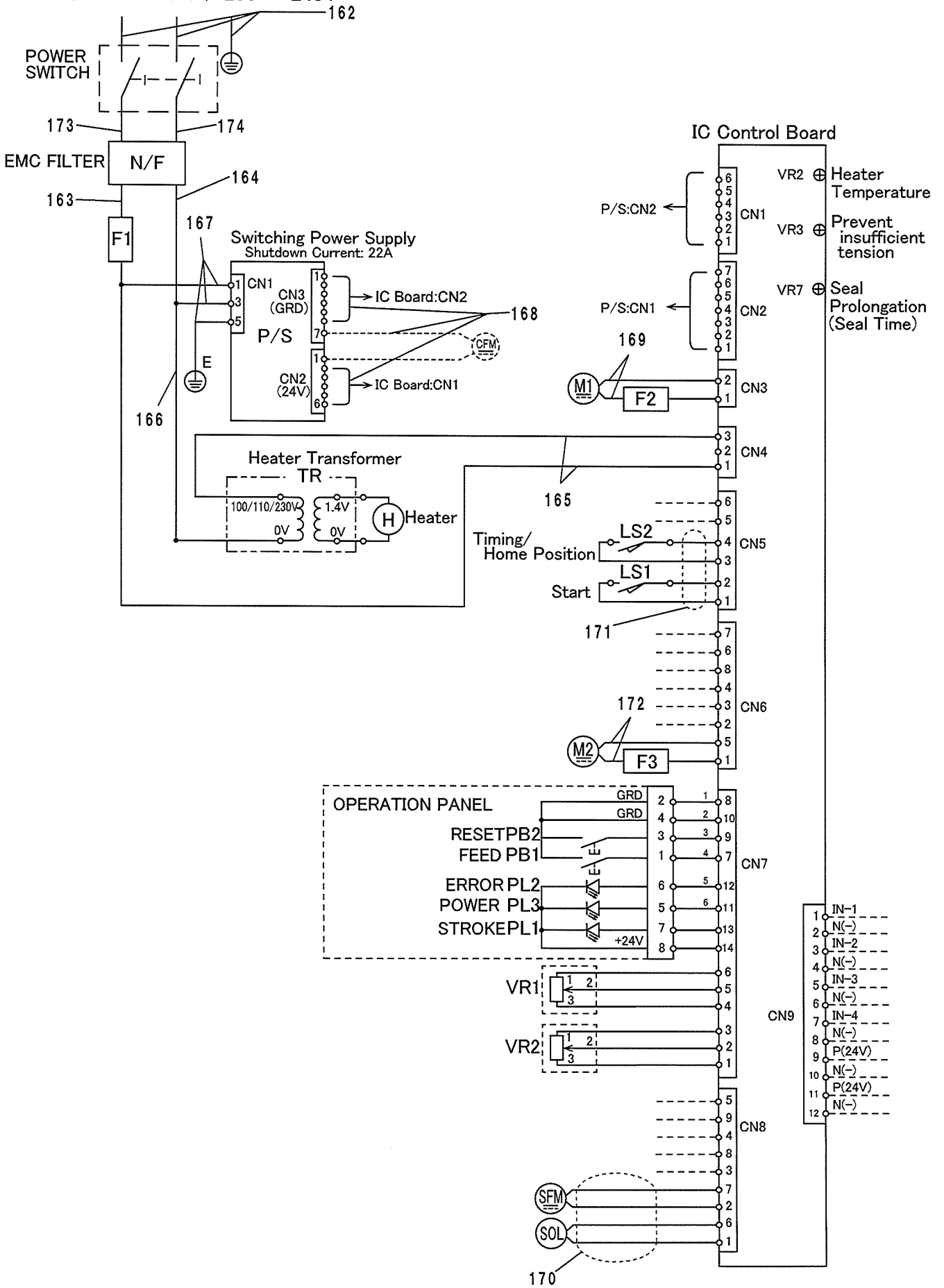
5






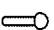



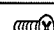



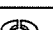

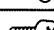
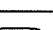
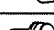



6



100/110 ~ 120V / 200 ~ 240V



略称 Abbreviation	名称 Designation	形状 Appearance	略称 Abbreviation	名称 Designation	形状 Appearance	略称 Abbreviation	名称 Designation	形状 Appearance
HBS	六角穴付きボルト Hexagon Socket Head Cap Screws		HFS	六角穴付きサラ小ネジ Hexagon Socket Countersunk Head Screws		S	C形止め輪(軸用) Retaining Rings C Type, Shaft	
HSS	六角穴付き止めねじ Hexagon Socket Set Screws		HN	六角ナット Hexagon Nuts		RIV	冷間成形リベット Cold Headed Rivets	
HB	六角ボルト Hexagon Head Screws		HN-3	六角ナット(3種) Hexagon Nuts (Thin)		SNPIN	スナップピン Snap Pin	
FMS	十字穴付きサラ小ネジ Cross Recessed Flat Head Screws		PW	平座金 Plain Washers		PN	プッシュナット Push Nuts	
TMS	十字穴付きトラス小ネジ Cross Recessed Truss Head Screws		SW	ハネ座金 Spring Washers		CN	袋ナット Cap Nuts	
PMS	十字穴付きナベ小ネジ Cross Recessed Pan Head Screws		SPPIN	スプリングピン Spring Pin				
PMS-SP	座金組込十字穴付きナベ小ネジ Washer Assembled Cross Recessed Pan Head Screws		H	C形止め輪(穴用) Retaining Rings C Type, Hole				

Ref. No.	Parts. No.	Description	Ref. No.	Parts. No.	Description	Ref. No.	Parts. No.	Description
1001	0111-104006	HBS,M4x06	1057	0411-305020	Spring Pin, φ 5x20			
1002	0111-104008	HBS,M4x08	1058	0511-121910	Retaining Rings, H-19			
1003	0111-104010	HBS,M4x10	1059	0511-131010	Retaining Rings, S-10			
1004	0111-104012	HBS,M4x12	1060	0511-132012	Retaining Rings, S-20			
1005	0111-104015	HBS,M4x15	1061	0511-132512	Retaining Rings, S-25			
1006	0111-105006	HBS,M5x06	1062	0421-106030	Rivets, φ 6x30			
1007	0111-105008	HBS,M5x08	1063	0491-120400	Snap Pin, φ 4			
1008	0111-105010	HBS,M5x10	1064	0512-210600	Push Nuts, φ 6			
1009	0111-105012	HBS,M5x12	1065	0036-103010	PMS-S,M3x15			
1010	0111-105015	HBS,M5x15	1066	0191-106001	CN,M6			
1011	0111-105020	HBS,M5x20	1067	0151-108035	TM,M8x35			
1012	0111-105025	HBS,M5x25	1068	0291-108303	BMS,M8x35			
1013	0111-105040	HBS,M5x40						
1014	0111-106025	HBS,M6x25						
1015	0111-106030	HBS,M6x30						
1016	0121-204004	HSS,M4x04						
1017	0121-104015	HSS,M4x15						
1018	0121-104020	HSS,M4x20						
1019	0121-104022	HSS,M4x22						
1020	0121-105060	HSS,M5x6						
1021	0121-105010	HSS,M5x10						
1022	0131-105010	HB,M5x10						
1023	0131-106015	HB,M6x15						
1024	0132-005015	HB,M5x15						
1025	0140-005012	FMS,M5x12						
1026	0142-005010	FMS,M5x10						
1027	0151-105008	FMS,M5x 8						
1028	0151-104006	TMS,M4x06						
1029	0151-104008	TMS,M4x08						
1030	0151-106010	TMS,M6x10						
1031	0161-102508	PMS,M2.5x8						
1032	0161-105045	PMS,M5x45						
1033	0161-105060	PMS,M5x60						
1034	0036-103006	PMS-SP,M3x6						
1035	0036-103006	PMS-SP,M3x06						
1036	0036-104008	PMS-SP,M4x08						
1037	0036-104012	PMS-SP,M4x12						
1038	0251-005010	HFS,M5x10						
1039	0251-104008	HFS,M4x08						
1040	0181-104001	HN,M4						
1041	0181-105001	HN,M5						
1042	0181-105003	HN,M5(Thin)						
1043	0181-106001	HN,M6						
1044	0182-005001	HN,M5(SUS)						
1045	0311-041008	PW,M4						
1046	0311-051208	PW,M5						
1047	0311-051210	PW,M5(t1.0)						
1048	0311-061310	PW,M6						
1049	0311-062016	PW,M6(φ 20xt1.6)						
1050	0321-040810	SW,M4						
1051	0321-050913	SW,M5						
1052	0321-061215	SW,M6						
1053	0321-122130	SW,M12						
1054	0411-304019	Spring Pin, φ 4x20						
1055	0411-305014	Spring Pin, φ 5x14						
1056	0411-305015	Spring Pin, φ 5x15						

No.	Parts.No.	Description	Q'ty	Remarks	Illust No.
1	518-01-10280	End Plate	1		1
2	518-01-31120	Right Block Spring	3		1
3	690-01-30130	Heater Spring	3		1
4	690-01-32130	Spring Hook	1		1
5	JK25-01-10111	M1 Motor Base	1		1
6	JK25-01-10133	Heater Cam	1		1
7	JK25-01-10143	Left Press Cam	1		1
8	JK25-01-10163	Band Guide Cam	1		1
9	JK25-01-10174	Right Press Cam	1		1
10	JK25-01-10251	Limit Swich BKT	1		1
11	JK25-01-10281	Bearing Holder	1		1
12	JK25-01-10310	Cam Collar 9.3	1		1
13	JK25-01-10320	Cam Collar 19.8	1		1
14	JK25-01-10330	Cam Collar 9.8	1		1
15	JK25-01-10340	Cam Collar 6.8	1		1
16	JK25-01-10380	Collar For Key	1		1
17	JK25-01-10390	Center Press Cam	1		1
18	JK25-01-10421	Limit Swich Cam	1		1
19	JK25-01-30152	Cutter Lower	1		1
20	JK53-01-10292	Cam Shaft	1		1
21	JK53-01-10361	Cam Shaft Key	1		1
22	JK53-01-30120	Right Block	1		1
23	JK53-01-30130	Cutter Upper	1		1
24	JK53-01-30140	Center Block	1		1
25	JK53-01-30160	Left Block	1		1
26	JK53-01-30170	Cam Follower Holder	3		1
27	JK53-01-30110	Guide Box	1		1
28	JK53-01-50112	Right Frame	1		1
29	JK53-01-50121	Left Frame	1		1
30	JK53-01-50150	Shooter Bracket	1		1
31	JK53-01-70120	Spring Hook	1		1
32	JK25-06-10570	Moter_M1	1		1
33	0611-020635	Ball Bearing 635ZZ	3		1
34	0611-026904	Ball Bearing 6904ZZ	2		1
35	0750-110098	Micro Switch,ABS111654	1		1
36	690-01-20180	Band Guide Arm Spring	1		2
37	690-01-20190	Slide Table Arm Spring	1		2
38	690-01-21120	Slide Table Arm	1		2
39	690-01-40120	Heater Tension Spring	1		2
40	900-01-20211	Slide Table Screw	2		2
41	JK25-01-20210	Badn Guide Arm	1		2
42	JK25-01-40150	Heater Bracket	1		2
43	JK25-01-40170	Heater Arm	1		2
44	JK25-01-50130	Frame Stay	1		2
45	JK53-01-20110	Band Guide	1		2
46	JK53-01-20120	Band Guide Plate	1		2
47	JK53-01-20140	Arm Shaft	1		2
48	JK53-01-20150	Band Width Plate	1		2
49	JK53-01-20160	Slide Table	1		2
50	JK53-01-20170	Slide Table Support	1		2
51	JK53-01-20180	Heater Arm Collar	1		2
52	JK53-01-20320	Striker	1		2
53	JK53-80-10110	Label:Indication:LS1	1		2
54	0520-141206	Flanged Bush	2		2
55	0611-020635	Ball Bearing 635ZZ	2		2
56	0750-110105	Micro Switch VX-01-1A2	1		2
57	0890-320710	Nyron Washer NH-i222-10	1		2
58	0890-480257	Label 'High Temperature:PL-51T'	1		2
59	690-01-41002	Heater Set	1		2
60	JK25-01-70134	Touch Roller	1		3
61	JK25-01-70291	Touch Roller Collar	1		3
62	0499-003013	Key 4x4x13	1		3
63	JK25-01-70381	Shooter Adjuster	1		3
64	JK25-01-70391	Under Shooter Adjuster	1		3
65	JK25-01-70420	M2 Motor Base	1		3
66	JK25-01-70610	FR Roller Holder	1		3

No.	Parts.No.	Description	Q'ty	Remarks	Illust No.
67	JK25-01-70620	FR Roller	1		3
68	JK25-06-10581	Tension Motor	1		3
69	JK53-01-62200	Solenoid Set	1		3
70	JK53-01-70113	FR Unit Base	1		3
71	JK53-01-70210	Right Bandway Adjuster	1		3
72	JK53-01-70240	FR Shooter Cover	1		3
73	JK53-01-70272	Touch Roller Arm	1		3
74	JK53-01-70280	Solenoid Pin	1		3
75	JK53-01-70311	Upper Roller Arm	1		3
76	JK53-01-70321	Roller Holder	2		3
77	JK53-01-70341	Roller Color	1		3
78	JK53-01-70350	Upper Roller	1		3
79	JK53-01-70372	Touch Roller Arm Collar	1		3
80	JK53-01-70381	Upper Roller Arm Collar	1		3
81	JK53-01-70440	Band Guide Block Upper	1		3
82	JK53-01-70452	Band Guide Block Right	1		3
83	JK53-01-70461	Band Guide Block(Lower)	1		3
84	0611-020626	Ball Bearing 626ZZ	4		3
85	0611-026900	Ball Bearing 6900ZZ	1		3
86	0890-321159	Collar	1		3
87	0890-362218	Spring	1		3
88	0890-362219	Spring	1		3
89	0299-000466	Press Knob	1		3
90	0299-000591	Screw	1		3
91	518-04-10280	Reel Center Guide	3	North America	4
	631-04-10280	Reel Center Guide	3	Europe & Other Countries	4
92	518-04-10290	Band Guide Rollers	1		4
93	518-04-10390	Reel Nut Handle;Type O	1		4
94	631-04-10331	Shaft Cap:R	1		4
95	631-04-10342	Shaft Cap F	1		4
96	518-04-20120	Upper Panel	1		4
97	518-04-20180	Washer For Brake Liner	1		4
98	518-04-10140	Reel Brake Spring	1		4
99	JK25-04-10111	Reel Bracket	1		4
100	JK25-04-10121	Reel Bracket Support	1		4
101	JK25-04-10141	Reel Shaft	1		4
102	JK53-04-10130	Reel Braek Arm	1		4
103	N11-04-10112	Reel In Circular	1		4
104	N11-04-10122	Reel Out Circular	1		4
105	0611-026005	Bearing 6005ZZ	2		4
106	518-07-10220	Label 'Arrow Left'	1		4
107	518-07-10240	Label 'Nut Handle Arrow Left'	1		4
108	518-04-10290	Band Guide Rollers	1		5
109	518-05-10140	Base Under Cover	1		5
110	518-80-10150	Teble Work Guide	2		5
111	JK53-05-10191	Upper Table Support Material	6		5
112	JK25-04-10160	Right Lifting BKT	1		5
113	JK25-04-10170	Lifting Bracket	1		5
114	JK25-04-10180	Free Angle Roller	1		5
115	JK25-05-10230	Upper Panel	1		5
116	JK53-05-10113	Body	1		5
117	JK53-05-10162	Left Shooter	1		5
118	JK53-05-10172	Corner Block	2		5
119	JK53-05-10182	Corner Block	2		5
120	JK53-05-10210	Rear Panel	1		5
121	JK53-05-10221	Left Panel	1		5
122	JK53-05-10231	Right Panel	1		5
123	JK53-05-10241	Upper Table (Front)	1		5
124	JK53-05-10251	Upper Table (Rear)	1		5
125	JK53-05-10271	Table Support Pin	4		5
126	JK53-05-10322	Plate Nut	4		5
127	JK53-05-10340	Caster Washer	4		5
128	JK53-05-10360	Label 'Threading band'	1		5
129	0890-130573	Caster	4		5
130	0890-480128	Label 'WARNING'	1		5
131	JK53-05-10350	Caster Frame	4		5

